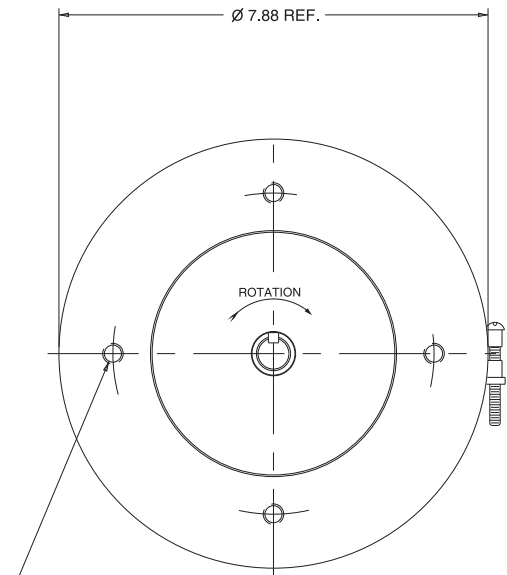
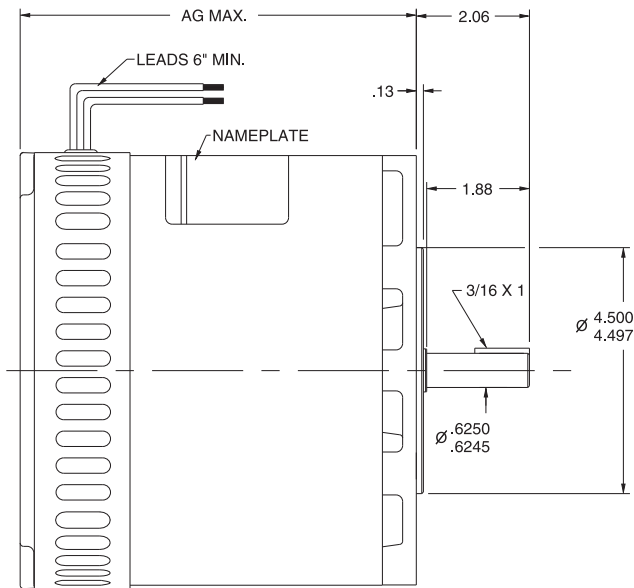


## OFC ENCLOSURE WITH 56C FACE MOUNT



FRAME	AG
A180	7.08
B180	9.58
C180	12.08

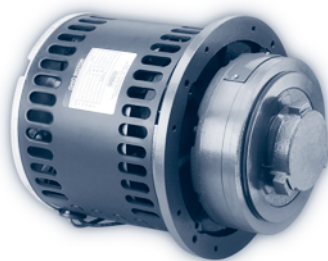
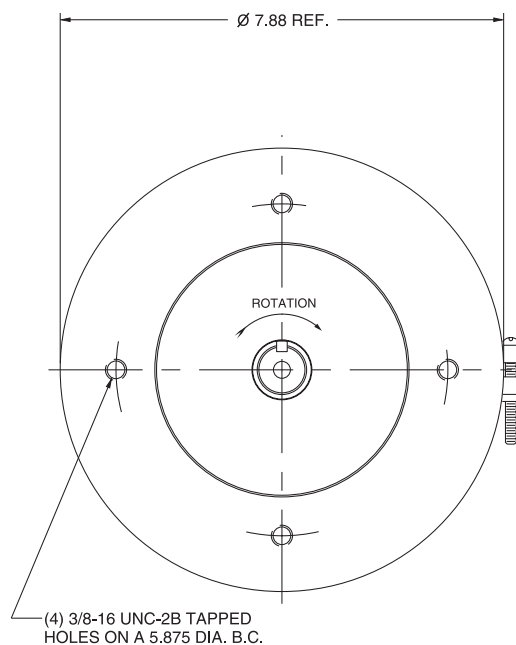
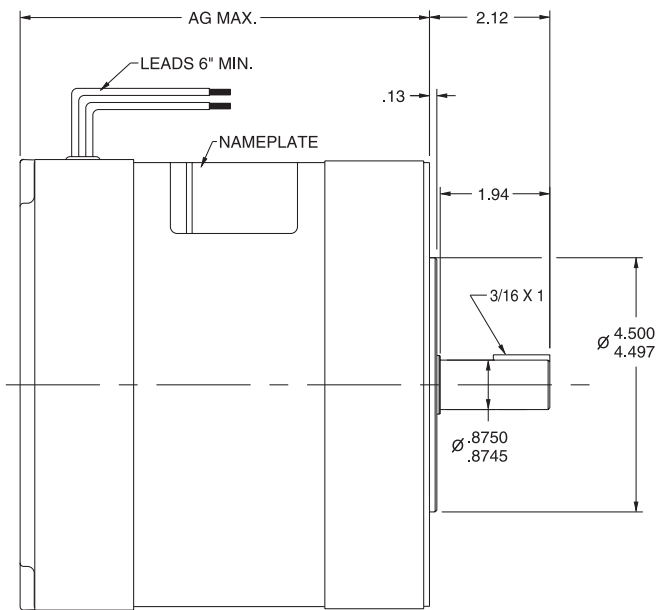


## TYPICAL MOTOR DATA - OTHER RATINGS AVAILABLE UPON REQUEST

HP	RPM	VOLTS	FULL LOAD AMPS	LOCKED ROTOR AMPS	MAXIMUM ALLOW. AMPS	FULL LOAD TORQUE LB. FT.	LOCKED ROTOR TORQUE LB. FT.	DUTY	FRAME	ENCL.
1.0	1750	12	78	850	1000	3.00	32	CONT	A-180	OFC
1.0	1750	24	39	450	600	3.00	32	CONT	A-180	OFC
1.0	1750	36	26	300	400	3.00	32	CONT	A-180	OFC
1.5	1750	24	58	625	700	4.50	47	CONT	A-180	OFC
1.5	1750	36	37	450	550	4.50	47	CONT	A-180	OFC
2.0	1750	24	78	900	1200	6.00	64	CONT	B-180	OFC
2.0	1750	36	52	625	800	6.00	64	CONT	B-180	OFC
2.0	2000	36	52	700	900	5.25	70	CONT	A-180	OFC
2.0	3500	36	52	1200	1500	3.00	80	CONT	A-180	OFC
3.0	3500	36	78	875	950	4.50	72	CONT	B-180	OFC
4.0	3500	36	104	950	1200	6.00	72	CONT	C-180	OFC



## TENV ENCLOSURE WITH 140TC FACE MOUNT



FRAME	AG
A180	7.08
B180	9.58
C180	12.08



For further assistance with our motor products, visit us on-line at  
[www.ohioelectricmotors.com](http://www.ohioelectricmotors.com)  
and/or contact our sales/technical departments at

**Phone: 828/626-2901 • Fax: 828/626-2155**

or E-mail: [sales@ohioelectricmotors.com](mailto:sales@ohioelectricmotors.com)  
30 Paint Fork Road, P.O. Box 168 • Barnardville, NC 28709-0168



AFFILIATE OF **HBD INDUSTRIES, INC.**

**Websites: [www.ohioelectricmotors.com](http://www.ohioelectricmotors.com) • [www.hbdindustries.com](http://www.hbdindustries.com)**

